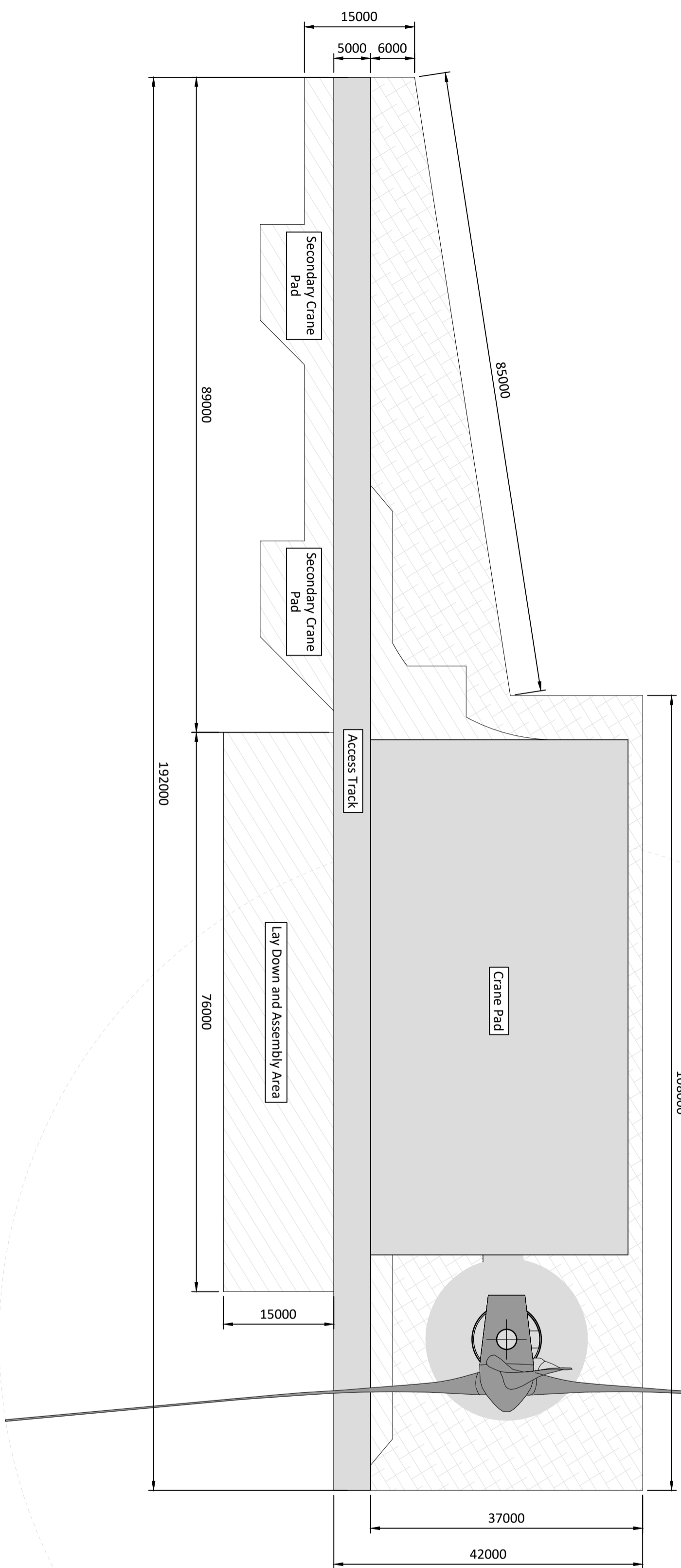
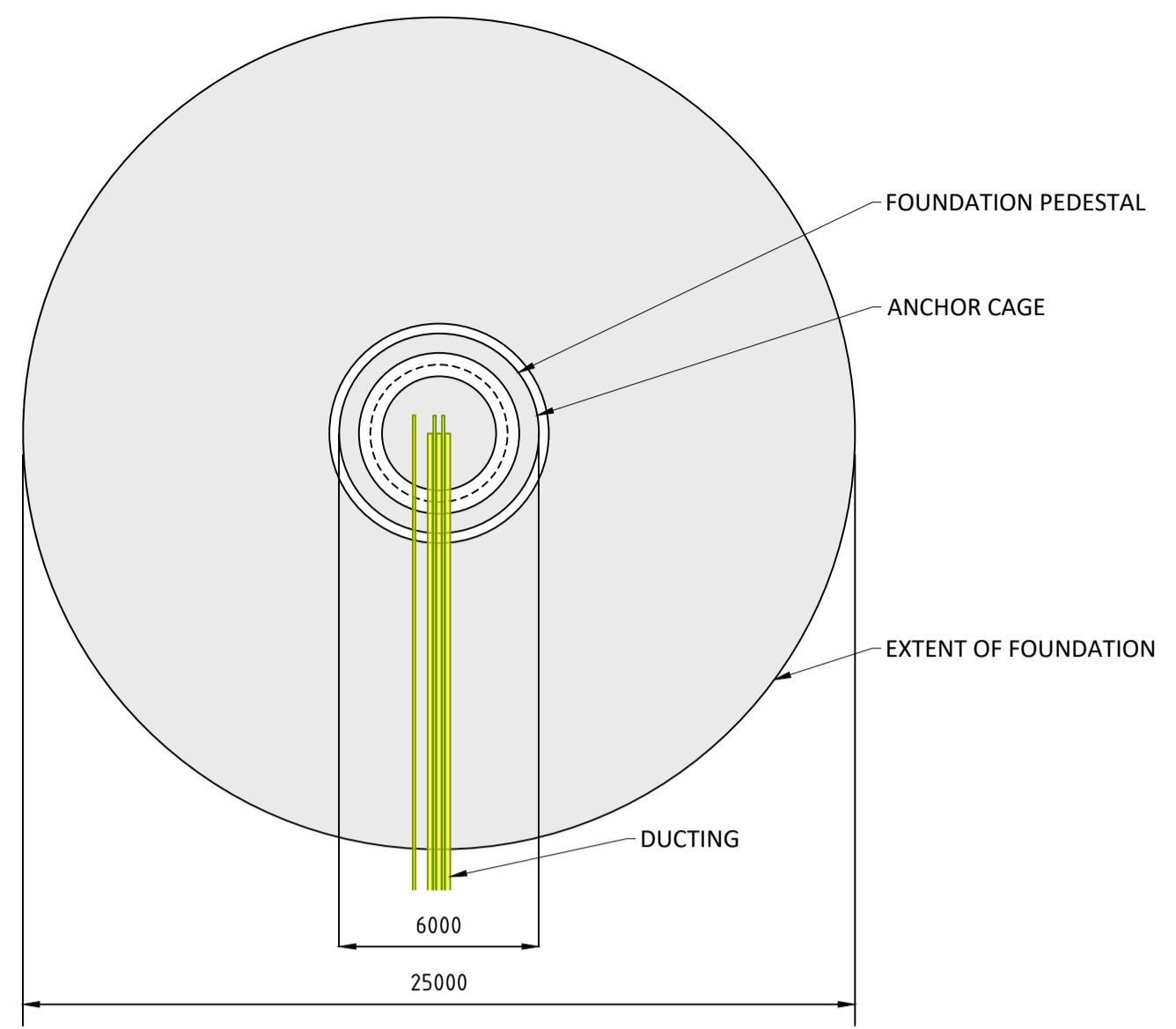


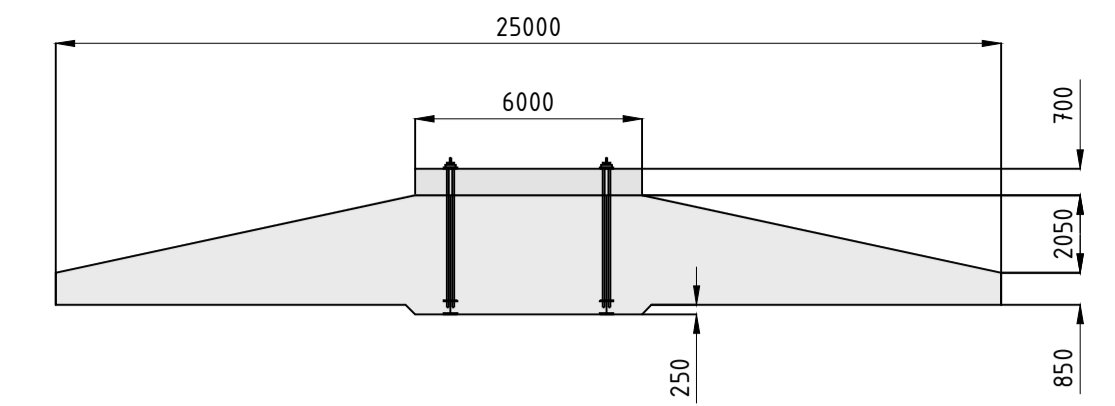
Note:
 1. All dimensions are in mm unless otherwise stated.
 2. For planning purposes only. Not for construction



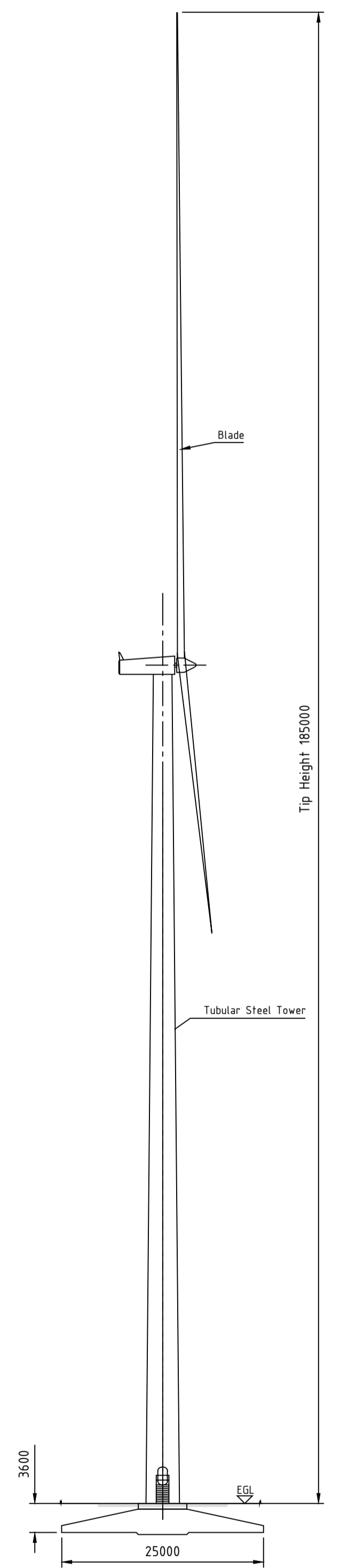
HARDSTANDING DETAIL
 Scale 1:500



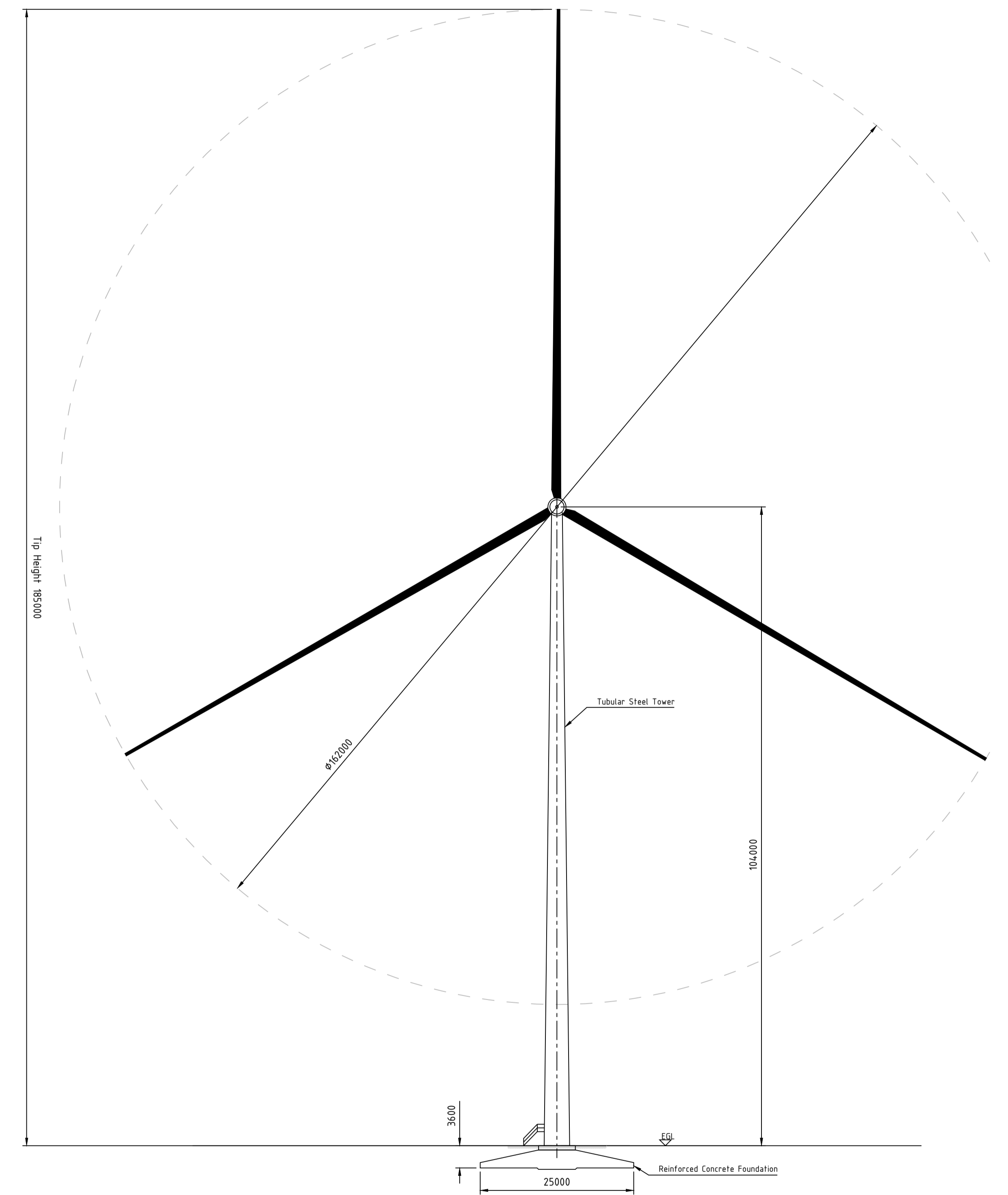
TURBINE FOUNDATION PLAN
 Scale 1:200



TURBINE FOUNDATION SECTION
 Scale 1:200



SIDE ELEVATION
 Scale 1:500



FRONT ELEVATION
 Scale 1:500

If Applicable : Ordnance Survey Ireland Licence No. CYAL50221678 © Ordnance Survey Ireland and Government of Ireland



No part of this document may be reproduced or transmitted in any form or stored in any retrieval system of any nature without the written permission of Fehily Timoney & Company as copyright holder except as agreed for use on the project for which the document was originally issued. Do not scale. Use figured dimensions only. If in doubt - Ask!

Rev.	Description	App By	Date
A	ISSUE FOR PLANNING	RM	10.10.23

PROJECT	COUMNAGAPPUL WINDFARM EIAR			CLIENT	EMPOWER		
SHEET	TURBINE AND HARDSTAND DETAILS			Date	10.10.23	Project number	P2360
				Drawn by	NS	Drawing Number	P2360-0300-0022
				Checked by	RM		
						Scale (@ A1-)	As Shown
							Rev
							A

O:\ACAD\2020\P2360\2360-0300-0022

Monday 23 October 2023